

BENCHMARKS		
NO.	DESCRIPTION	ELEV.
1.	TOT ROD	114.07
2.	10" IRON PIN	114.07

File: R:\0500\0575\0575059.dwg Plot Date: Oct 30, 2018 - 9:28am

LAYOUT: SITE PLAN

NOTE
 1. ALL DISTURBED AREAS SHALL BE TOPSOILED TO A DEPTH OF 6 INCHES, SEEDED AND MULCHED. AREA TO BE RAKED FREE OF STONES AND CLUMPS. MULCH SHALL BE CRIMPED AND TACKIFIED PER WDNR SPECIFICATION 1058.

2. THE CITY OF GREEN BAY SHALL COMBINE THE EXISTING TAX PARCELS INTO A SINGLE PARCEL.

PARKING DATA

TOTAL PARKING SPACES PROVIDED = 47
 HANDICAP ACCESSIBLE PARKING SPACES = 2

SITE DATA (PROJECT LIMITS)

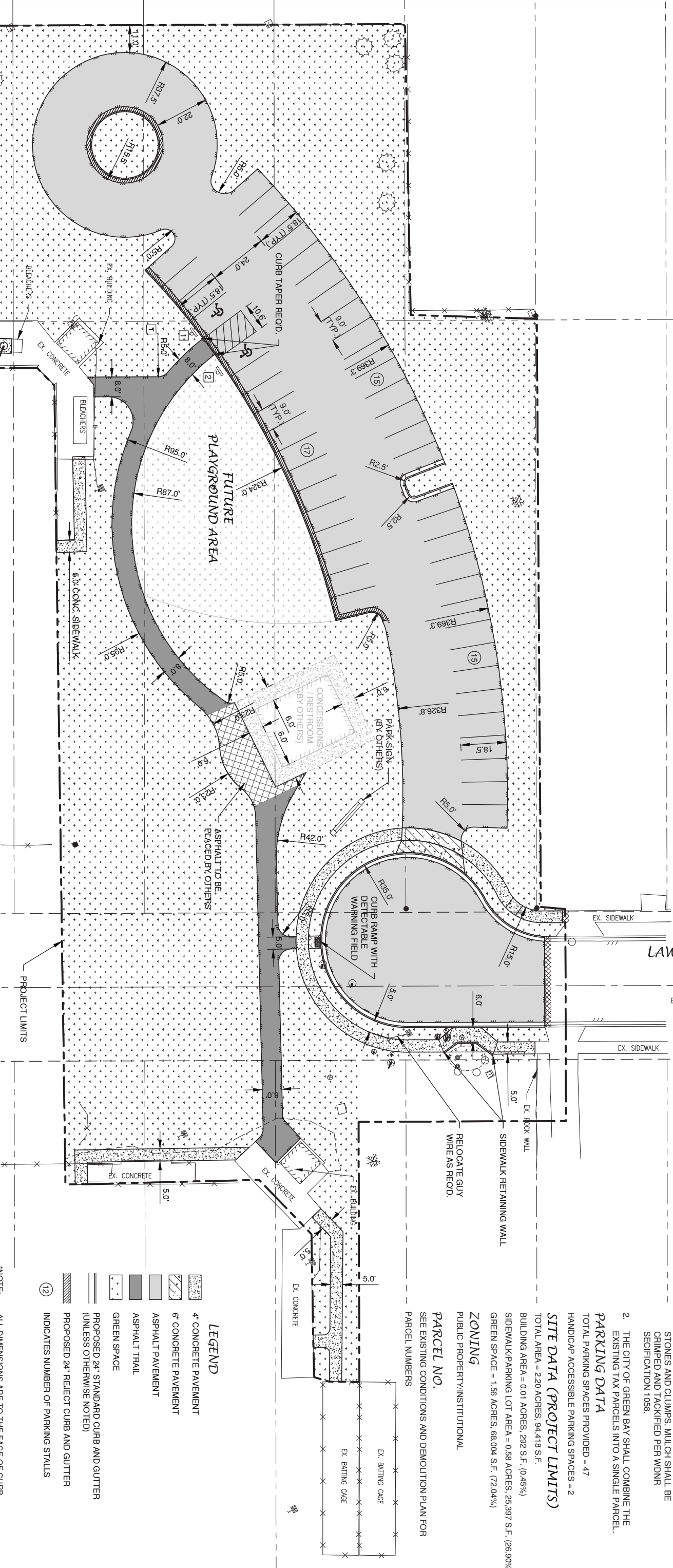
TOTAL AREA = 2.20 ACRES, 94,418 S.F.
 BUILDING AREA = 0.01 ACRES, 292 S.F. (0.45%)
 SIDEWALK/PARKING LOT AREA = 0.58 ACRES, 25,397 S.F. (28.90%)
 GREEN SPACE = 1.56 ACRES, 68,004 S.F. (72.04%)

ZONING

PUBLIC PROPERTY/INSTITUTIONAL

PARCEL NO.

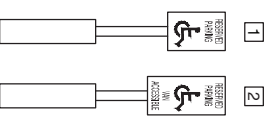
SEE EXISTING CONDITIONS AND DEMOLITION PLAN FOR PARCEL NUMBERS



LEGEND

	4" CONCRETE PAVEMENT
	6" CONCRETE PAVEMENT
	ASPHALT PAVEMENT
	ASPHALT TRAIL
	GREEN SPACE
	PROPOSED 24" STANDARD CURB AND GUTTER (UNLESS OTHERWISE NOTED)
	INDICATES NUMBER OF PARKING STALLS

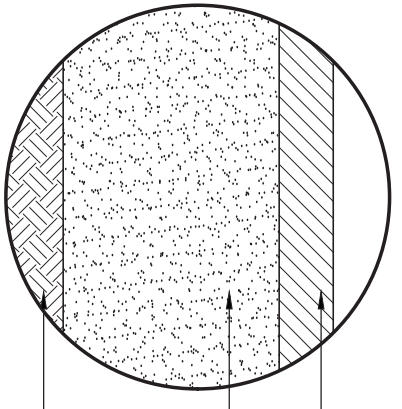
NOTE: ALL DIMENSIONS ARE TO THE FACE OF CURB, UNLESS NOTED OTHERWISE



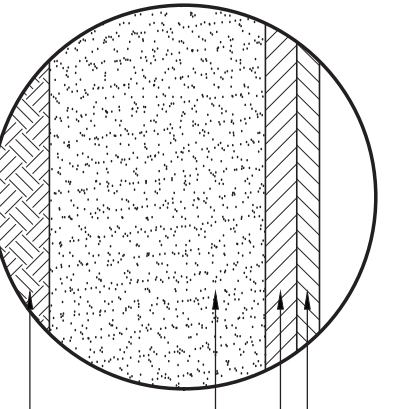
CITY OF GREEN BAY TO PROVIDE AND INSTALL SIGNS



ASPHALT TRAIL PAVEMENT DETAIL



PARKING LOT ASPHALT PAVEMENT DETAIL



NO.	DATE	APPROV.	REVISION	NO.	DATE	APPROV.	REVISION

DESIGNED	PKK	CHECKED	BBB	DRAWN	PKK
----------	-----	---------	-----	-------	-----

DESIGNED	PKK	CHECKED	BBB	DRAWN	PKK
----------	-----	---------	-----	-------	-----

DATE	FILE	NO.
10/30/18	0575059	0575059

Robert E. Lee & Associates, Inc.
 ENGINEERING, SURVEYING, ENVIRONMENTAL SERVICES
 1250 CENTENNIAL CENTRE BOULEVARD, HOBART, WI 54155
 920-862-9641 www.reeinc.com