

Overview

- Court Options
- Court Layout
- Court Systems
- Sand Specifications
- USAV Partners
- Contact



Court Options

- Outdoor Temporary
 - As seen on the Jose Cuervo Pro Beach Volleyball Series
- Outdoor Permanent
- Indoor Temporary
- Indoor Permanent



Court Layout

Outdoor courts are built North/South

- Minimizes the interference of sun on players and broadcasting
- Net line runs East/West

TV camera shoots facing East

- Avoids facing sun during primetime broadcasting
- Reduces shadows



Court Layout

USAV Lighting Specs – Televised and Non-Televised

Light Measurement	Minimum Non Televised	Minimum Televised
LUX per square yard	807	1076
Foot Candles per square yard	75	100
Bulb Temperature	5200 degrees Kelvin	5500 degrees Kelvin

Light Towers

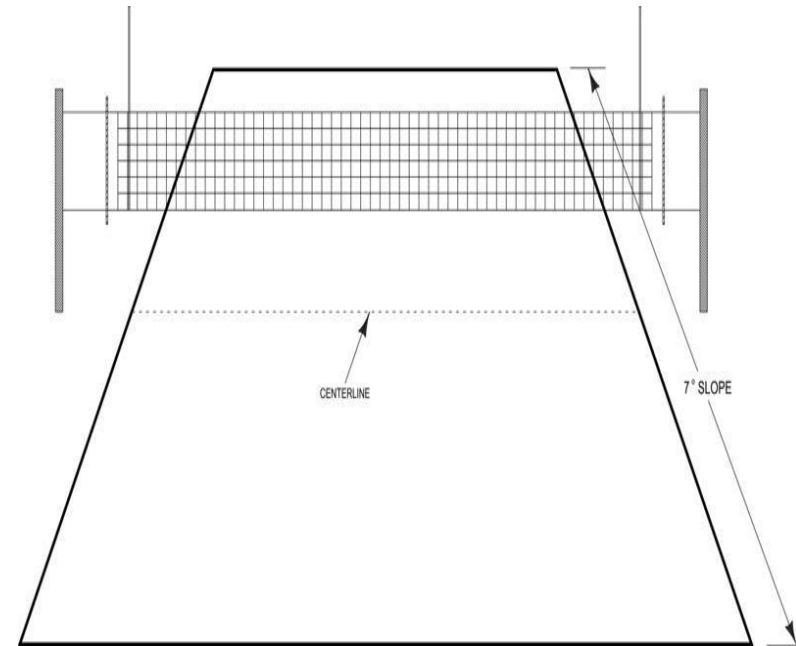
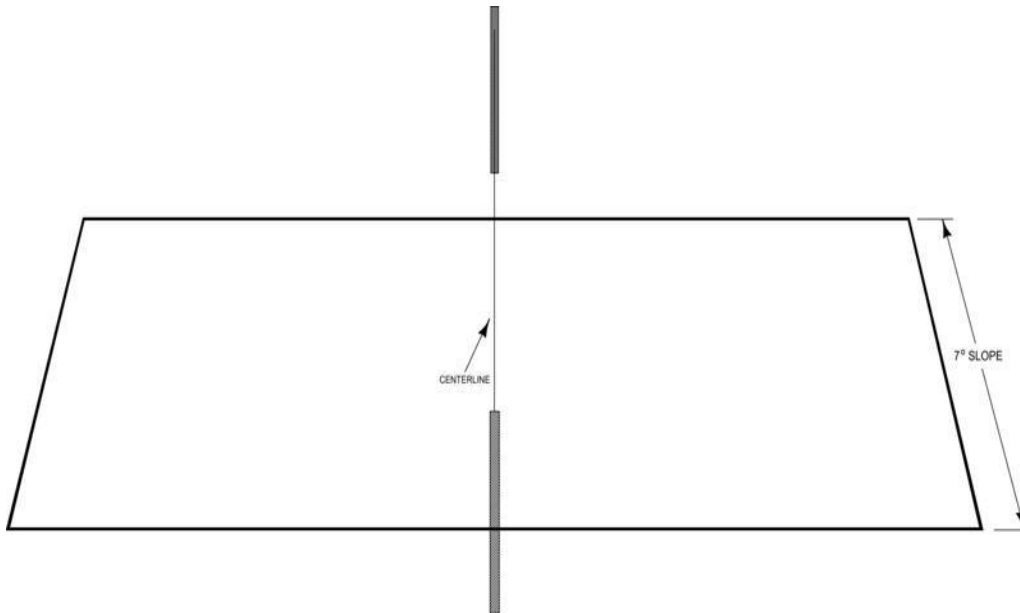
- A minimum of 40 feet in height and a maximum of 60 feet in height
- Setup at approximately 45 degree angle to court
- Towers are to be placed evenly around the court to maintain a consistent illumination of the area



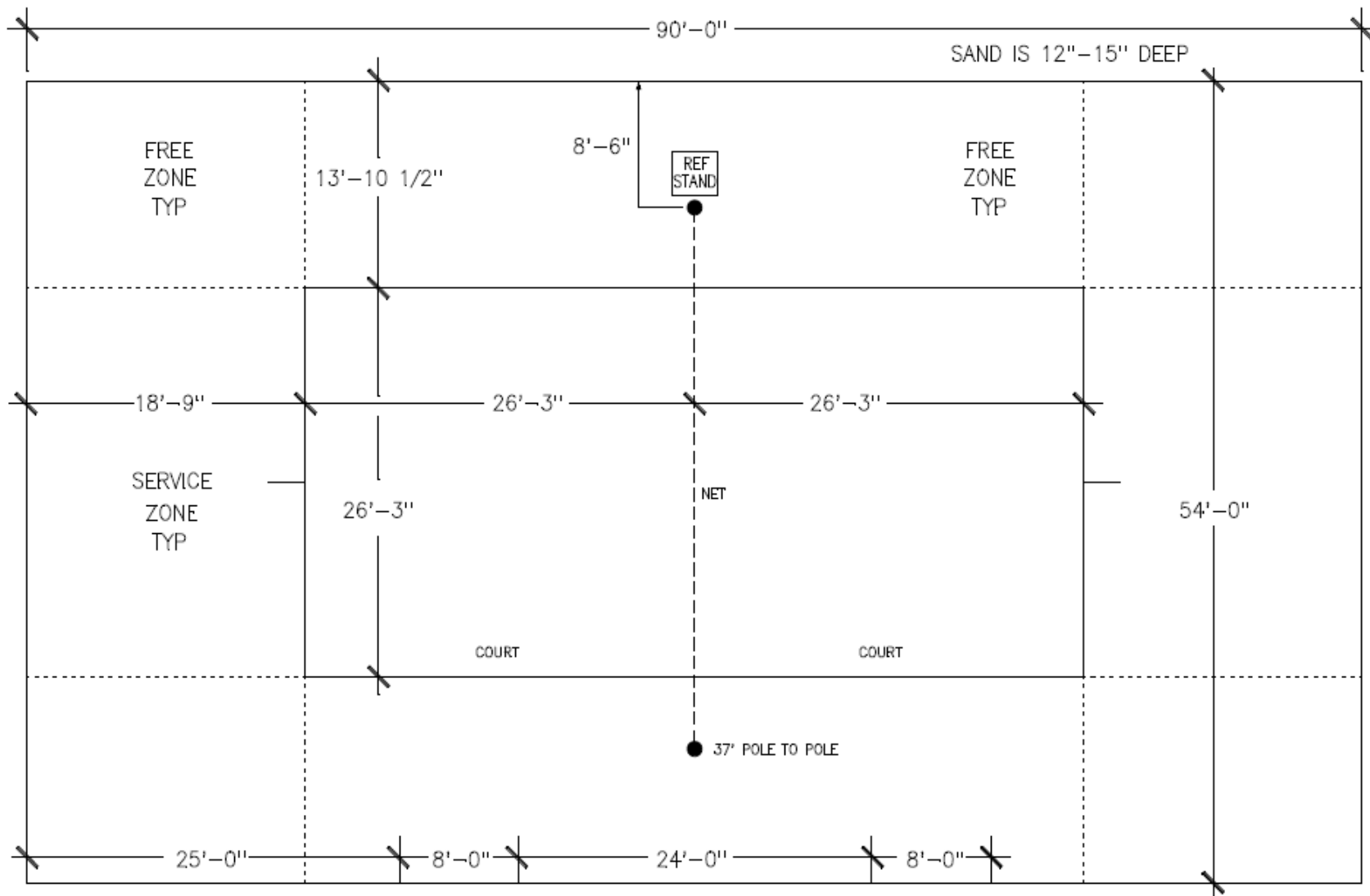
Court Layout

Slope

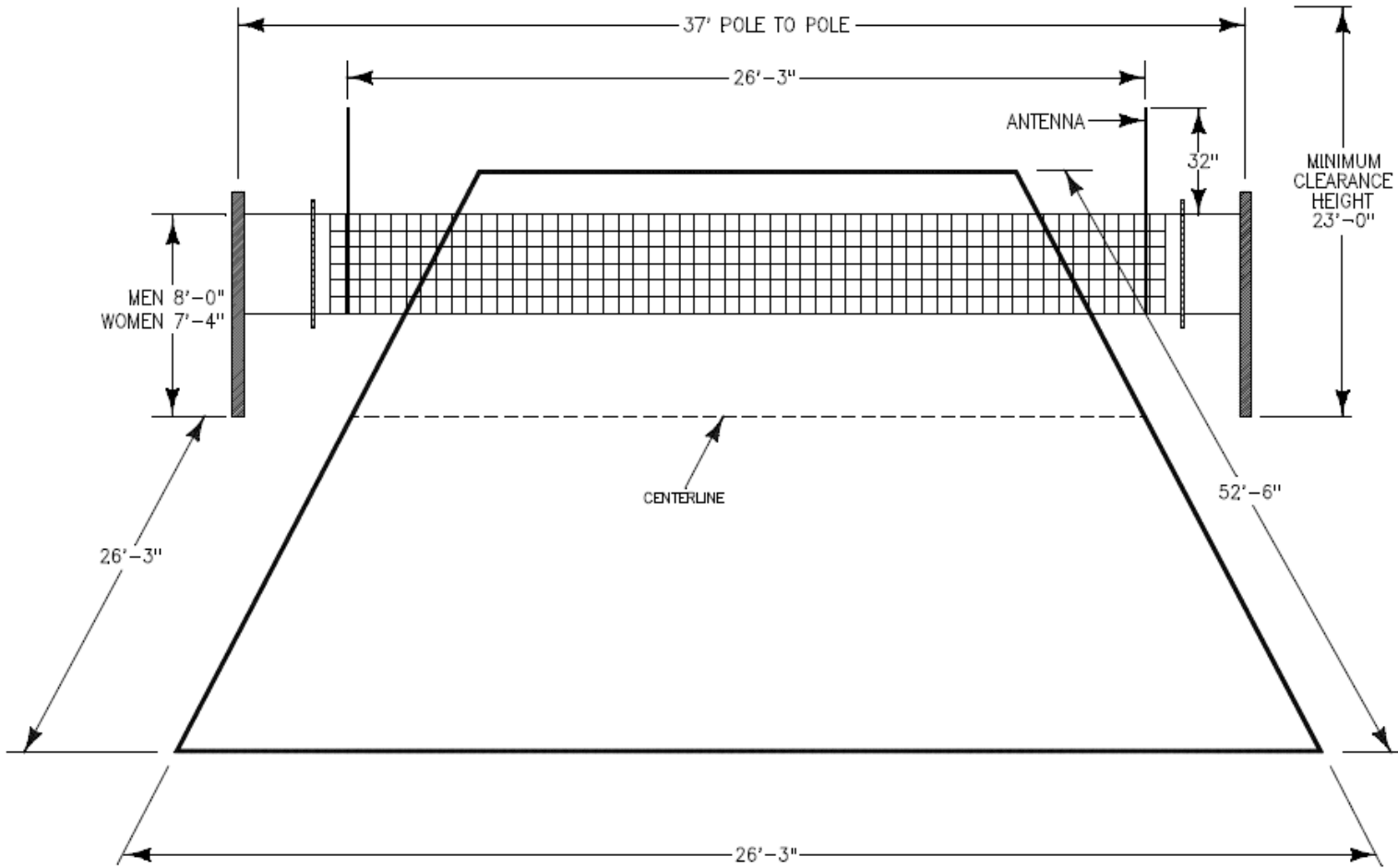
- Outdoor park land and parking lots are built to drain (most parking lots are up to 7%)
- Court should run parallel to slope to minimize cost (Figure B)



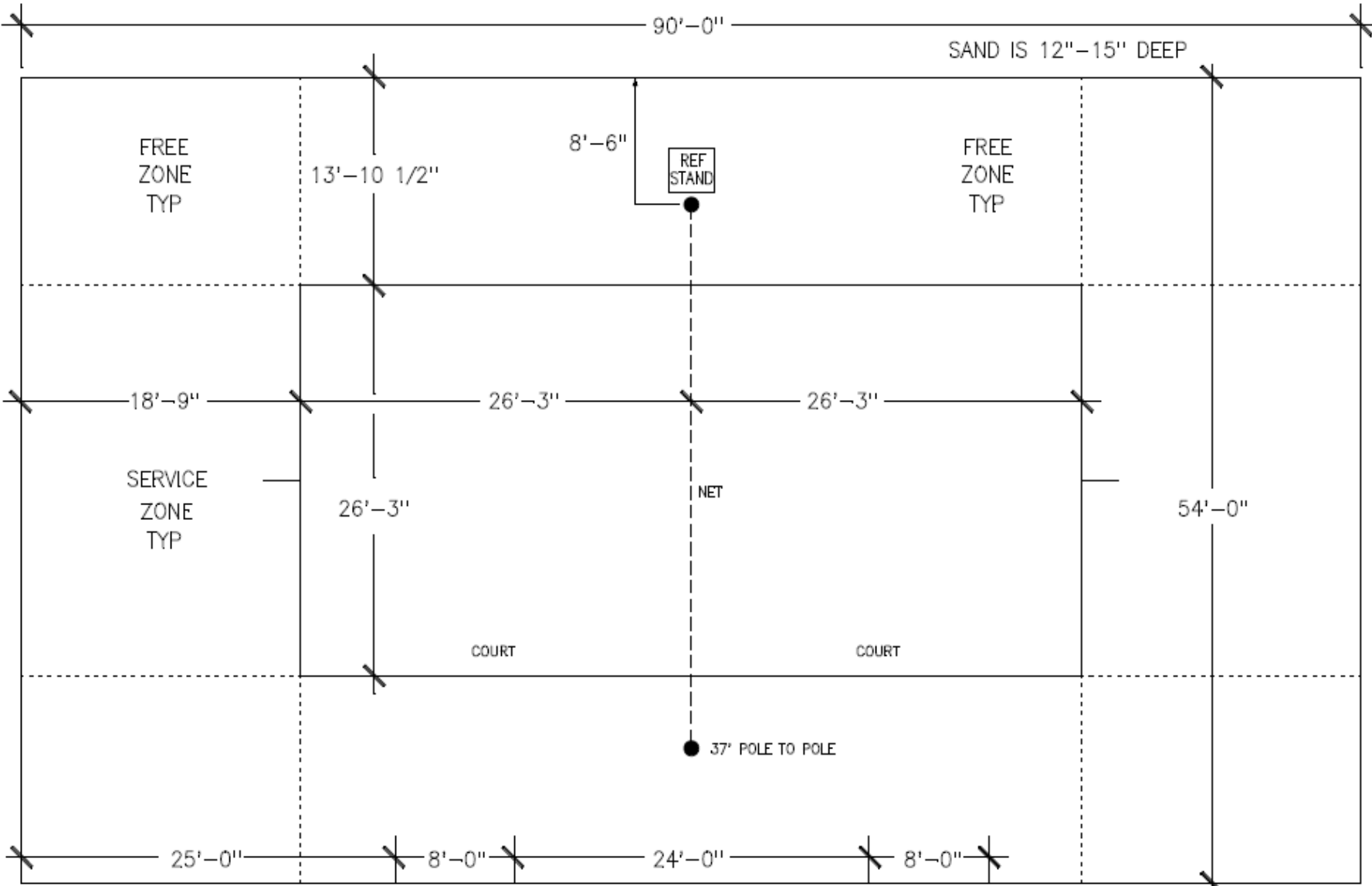
USA Beach Volleyball Court Dimensions



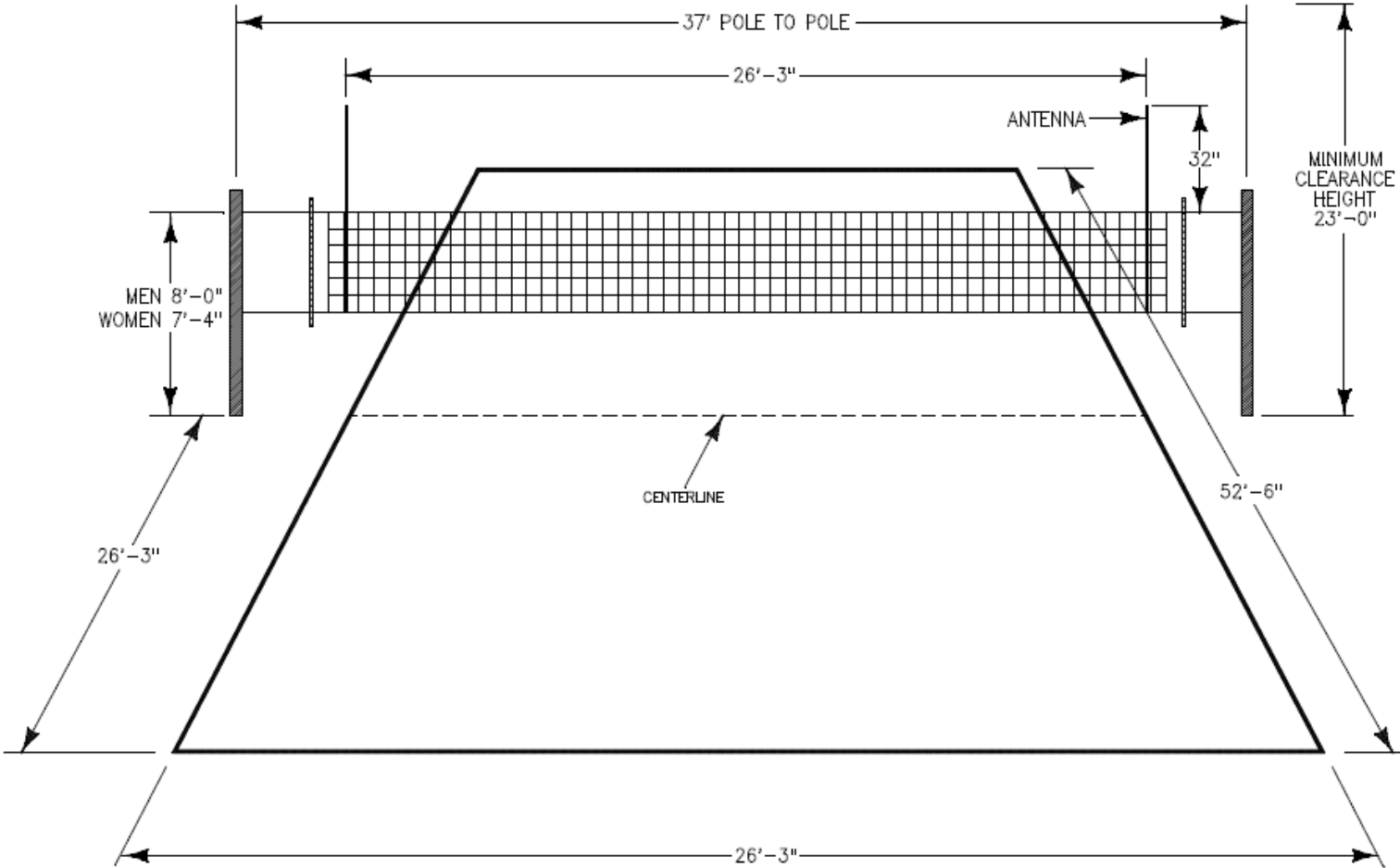
USA Beach Volleyball Court Dimensions



FIVB Court Dimensions



FIVB Court Dimensions



Court Systems

Temporary System

- Used on the Cuervo Pro Beach Volleyball Series
- Outdoor temporary (beach, grass, asphalt, etc.)

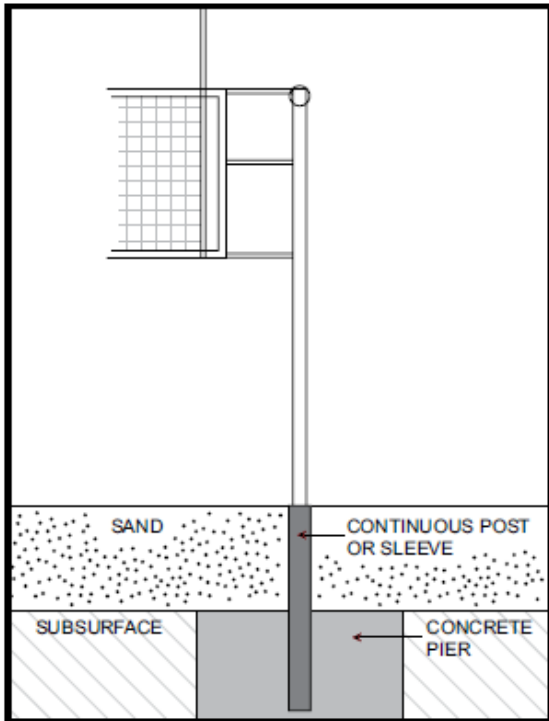
Senoh System

- Permanent systems (indoor/outdoor)
- Distributed by Sports Imports

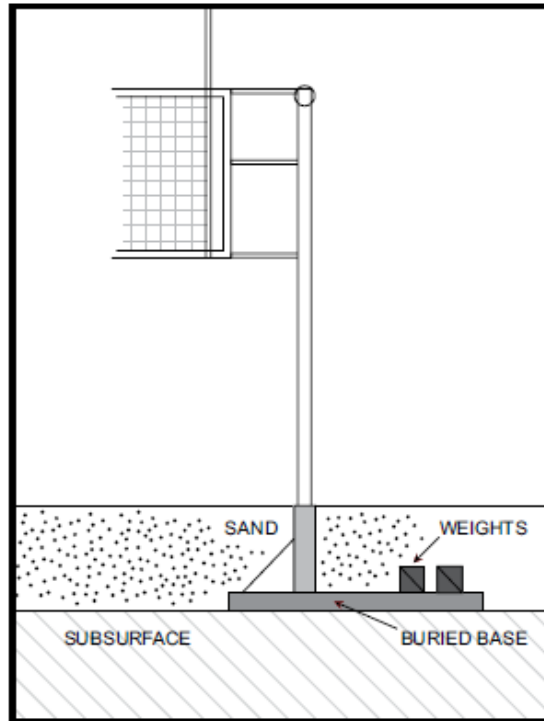


Court Systems

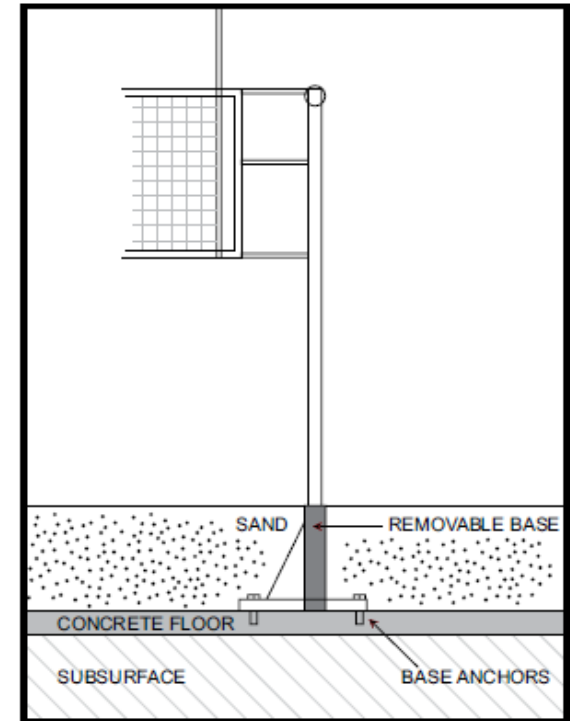
Senoh Anchor Systems



1. Permanent Outdoor Net System — anchored via concrete pier



2. Removable Net System, Indoor or Outdoor — anchored via buried base

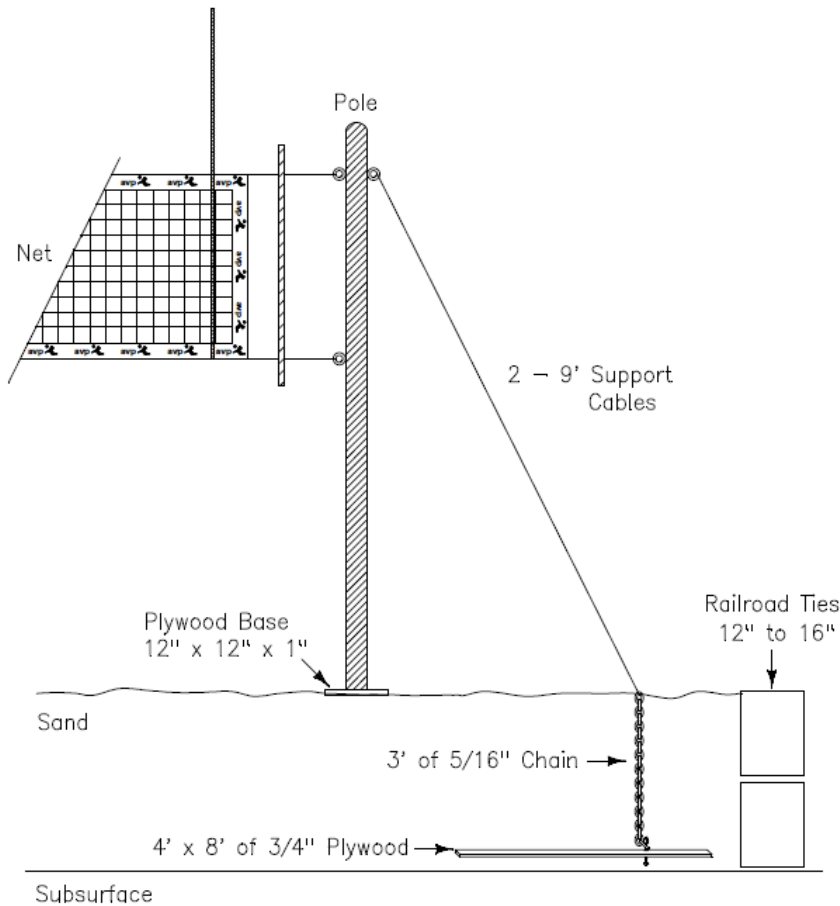


3. Semi-permanent, but removable Indoor Net System — anchored via buried base



Court Systems

Temporary Anchor System



- Used on Jose Cuervo Pro Beach Volleyball Series
- Ideal for outdoor/indoor temporary use

Sand Specifications

Selection Criteria: 7 critical evaluating factors

- particle size
- particle shape
- crusting potential
- chemical reaction and hardness
- infiltration rate
- color
- overall playing quality



FIVB Sand Specs Range

The Sand Requirements

Name	Particle Diameter	Spec. (% ret. on sieves)
Fine gravel	2.0 mm	0%
Very Course sand	1.0 mm - 2.0 mm	0%-6%
Coarse sand	0.5 mm - 1.0 mm	min of 80%
Medium sand	0.25 mm - 0.5 mm	max of 92%
Fine sand	0.15 mm - 0.25 mm	7%- 18%
Very fine sand	0.05 mm - 0.15 mm	not greater than 2.0%
Silt and Clay	below 0.05 mm	not greater than 0.15%



USA Beach Volleyball Partners

Carmeuse Sand

Special-T-Tracks

Sports Imports

Brown United

Musco Lighting

United Site Services



USABeachVolleyball.

Contact

Dave Williams

Managing Director of Beach Programs

Dave.williams@usav.org

310-975-3930



USABeachVolleyball.